

Distributor cabinet

according DIN 43870 bdew-guideline 2008
 inspected according VDE 0660 Teil 500 / IEC 439-1
 inspected by TÜV according DIN EN 60439-5

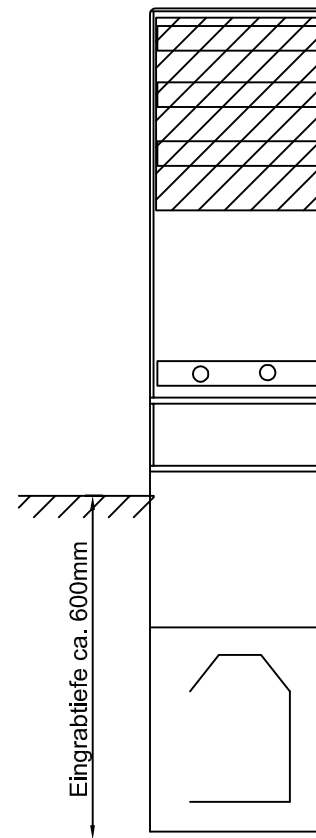
protection class of cabinet : IP 44
 class of protection II (with electrical insulation)
 made of : fibreglass-reinforced polyester
 (SMC process), IEC-695-2-1, halogen-free
 colour : grey , similar to RAL 7035
 lock: simple locking
 (with Euro profile half cylinder lock inside)

contains the following items:

- 4-pole busbar system 30x5mm (100mm)
- cover protection against accidental contact
- cable clamp rail in the cabinet

optional:

- filling material for socket SFM1
- dual swing handle
- RAL-painting on the outside



Typ of cabinet

GSAB 32S1400
 H : 1400

W : 320

D : 234

			Datum	23.12.10	project: distributor cabinet order-no: 32S1400K-100	Ang.-Nr.:	
			Bearb.	J.Drechsler		Auf.-Nr.:	
Zust.	Anderung	Datum	Name	Norm		Urspr.	Ers.f.



GSAB
 Elektrotechnik GmbH

		=	
		+	
Lindenstraße 23	Tel: 49/03636/7614-76	Bl. 1	v.
99718 Greußen	Fax: 49/03636/7614-30	1	Bl.