

# Distribution cabinet for market places

GSAB 32S1400

according DIN 43870 bdew-guideline 2008  
 inspected according VDE 0660 Teil 500 / IEC 439-1  
 inspected by TÜV according DIN EN 60439-5

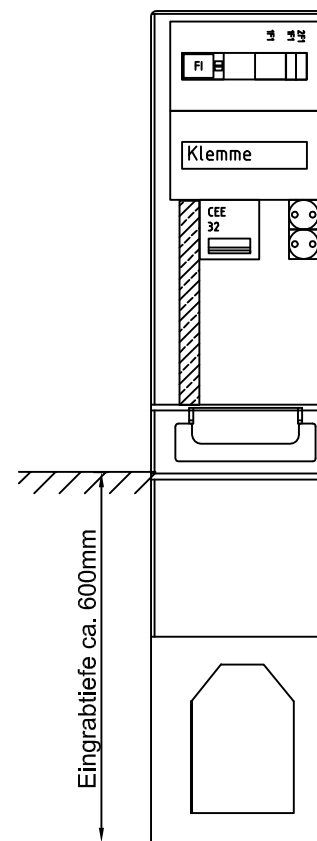
protection class of cabinet: IP 44  
 class of protection II (with electrical insulation)  
 made of: fibreglass-reinforced polyester  
 (SMC process), IEC-695-2-1, halogen-free  
 colour: grey, similar to RAL 7035  
 lock: single swing handle (with cylinder)

### contains the following items:

- cable clamp 4x10qmm + FI40/4/0,03
- cover protection against accidental contact
- 1xC32/ 3+1xCEE32
- 2xB16+2xplug (Schuko)

### optional:

- filling material for base SFM 0
- cable lead-in in the base
- painting in RAL



Typ of cabinet:  
 GSAB 32S1400  
 H : 1400  
 W : 320  
 D : 230

			Datum	29.12.10	project: distribution cabinet order-no: <b>32S1400FPCEE32-2Sch</b>	Ang.-Nr.:	
			Bearb.	J.Drechsler		Auf.-Nr.:	
			Gepr.			Ers.d.	
Zust.	Anderung	Datum	Name	Norm	Urspr.	Ers.f.	



**GSAB**  
 Elektrotechnik GmbH

Lindenstraße 23 99718 Greußen	Tel: 49/03636/7614-76 Fax: 49/03636/7614-30	Bl. 1 v. 1 Bl.
----------------------------------	--	-------------------