

GSAB 32S1400

Distribution cabinet

according DIN 43870 bdew-guideline 2008
 inspected according VDE 0660 Teil 500 / IEC 439-1
 inspected by TÜV according DIN EN 60439-5

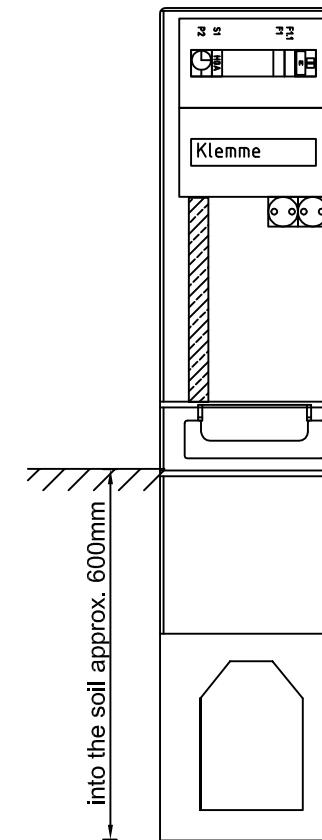
protection class of cabinet: IP 44
 class of protection II (with electrical insulation)
 made of: fibreglass-reinforced polyester
 (SMC process), IEC-695-2-1, halogen-free
 colour: grey, similar to RAL 7035
 lock: single swing handle (with cylinder)

contains the following items:


- clamp 4x10qmm + FI25/2/0,03
- cover protection against accidental contact
- 2xB16+2xplugs (Schuko)

optional:

- digital timer 1-chnal + H-0-A switcher
- filling material for base SFM 0
- cable lead-in in the base
- painting in RAL



typ of cabinet:
 GSAB 32S1400
 H : 1400
 B : 320
 T : 230

			Datum	31.10.2009	project: distribution cabinet	Ang.-Nr.: 210...	 GSAB Elektrotechnik GmbH		
			Bearb.	H.Vonnoe	order-no: 32S1400FP-2Sch	Auf.-Nr.:			
Zust.	Anderung	Datum	Name	Norm	Urspr.	Ers.f.		Ers.d.	Lindenstraße 23 99718 Greußen
								=	Bl. 1 v.
								+	1 Bl.